



60W (1/12.5 HP)

TERMINAL BOX TYPE REVERSIBLE MOTORS Frame size 90mm sq. (3.54 in. sq.)

Single-Phase

BOX TYPE

SPECIFICATIONS

30MIN. DUTY, INSULATION CLASS A or E, 4POLES

Model	Output		Voltage (V)	Frequency (Hz)	Rated						Starting Torque			Capacitor (μ F)
	(HP)	(W)			Input (W)	Current (A)	Torque			Speed (rpm)	(kg-cm)	(N-m)	(oz-in)	
							(kg-cm)	(N-m)	(oz-in)					
L9R60□C HTB	1/12.5	60	1 \varnothing 100	50	160	1.50	4.5	0.441	62.49	1300	5.6	0.549	77.77	28
				60	160	1.60	3.7	0.363	51.38	1600	5.6	0.549	77.77	
L9R60□D HTB	1/12.5	60	1 \varnothing 200	50	160	0.72	4.5	0.441	62.49	1300	4.5	0.441	62.49	6
				60	160	0.82	3.7	0.363	51.38	1600	4.5	0.441	62.49	
L9R60□B HTB	1/12.5	60	1 \varnothing 220	60	160	0.93	3.7	0.363	51.38	1600	6.1	0.598	84.71	6.5
L9R60□E HTB	1/12.5	60	1 \varnothing 115	60	160	1.45	3.7	0.363	51.38	1600	4.5	0.441	62.49	
L9R60□X HTB	1/12.5	60	1 \varnothing 220~240	50	160	0.70	4.5	0.441	62.49	1300	5.5	0.539	76.38	5

* Model in grey screen represents the motors with THERMALLY PROTECTED according to UL regulation.

* Model in dark grey screen represents the motors with THERMALLY PROTECTED according to CE regulation.

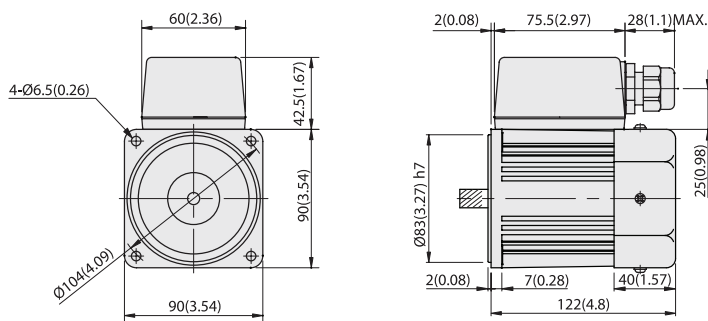
* In case of some models certificated for export, the special cord like CE or UL is added after the existing model no. ex) L9I60□XH-CE, L9I60□EH-UL.

* Insulation class for motors which acquired certificates for export is B.

DIMENSIONS

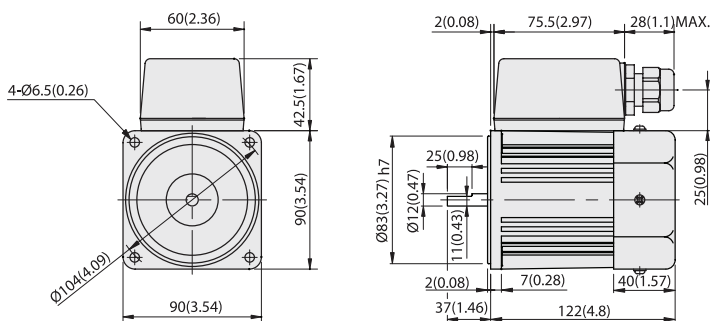
L9R60P□HTB

Unit : mm(inch)



WEIGHT 2.7kg (6.0 lb)

L9R60D□LTB

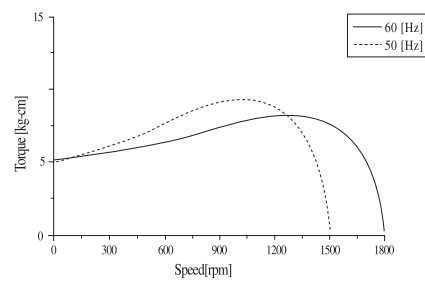


WEIGHT 2.7kg (6.0 lb)



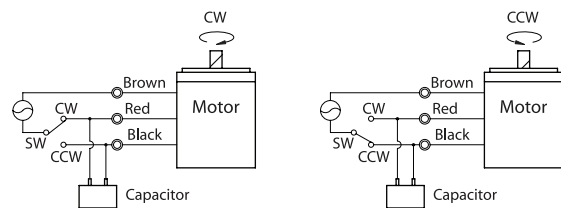
SPEED-TORQUE CURVE

Single phase L9R60□□HTB



CONNECTION DIAGRAMS

Standard or with T.P.



The direction of rotation is seen from the end of motor shaft.